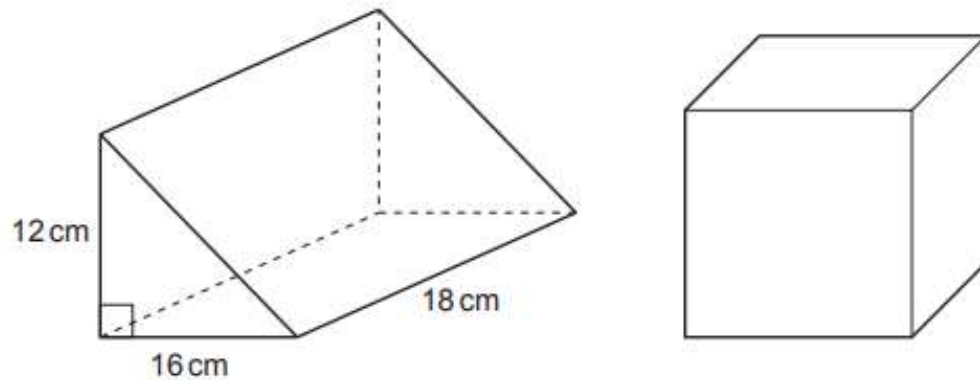


Question of the Day

Day 4

The diagram shows a triangular prism and a cube.
The ends of the prism are right-angled triangles with base 16 cm and height 12 cm.
The prism is 18 cm long.



The volume of the prism is equal to the volume of the cube.

Find the **surface area of the cube**.
You must show your working.

Higher