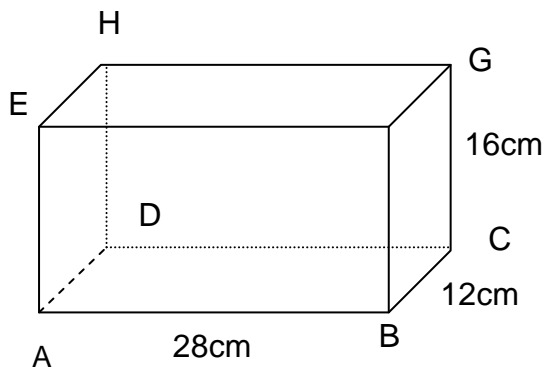


Answer

13.2cm

Question

Find the diagonal AC

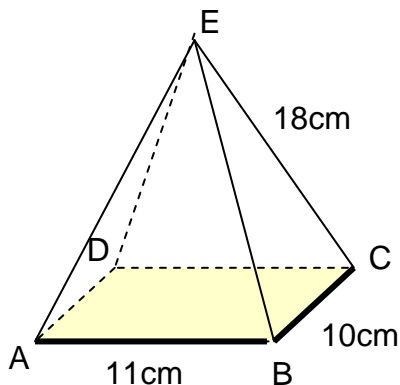


Answer

30.5cm

Question

Find the diagonal AC

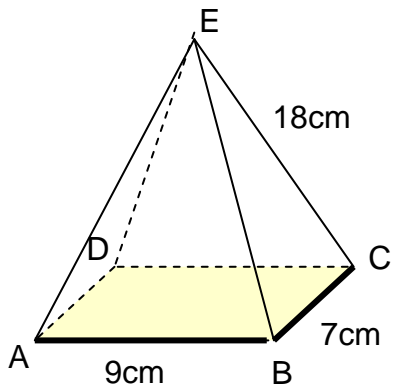


Answer

14.9cm

Question

Find the diagonal AC

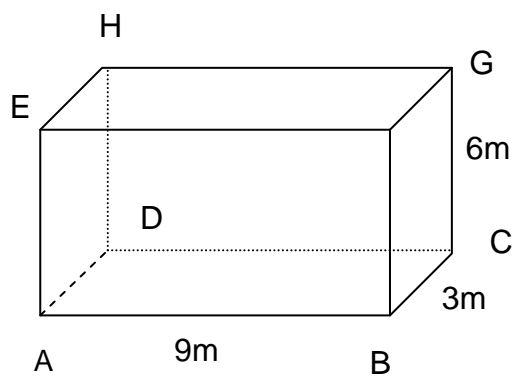


Answer

11.4cm

Question

Find the diagonal AC

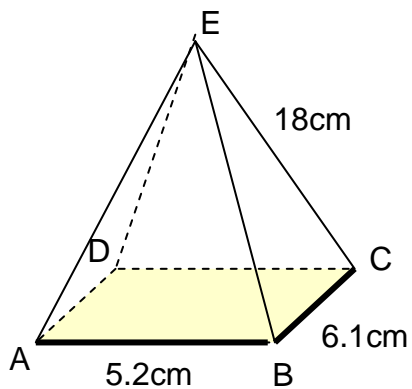


Answer

9.5m

Question

Find the diagonal AC

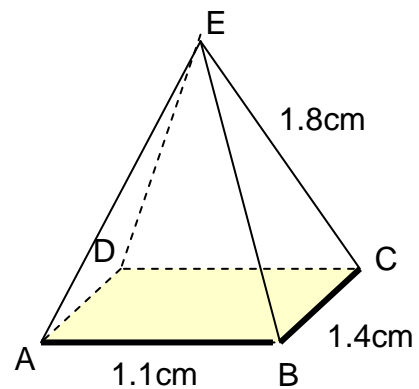


Answer

8.0cm

Question

Find the diagonal AC

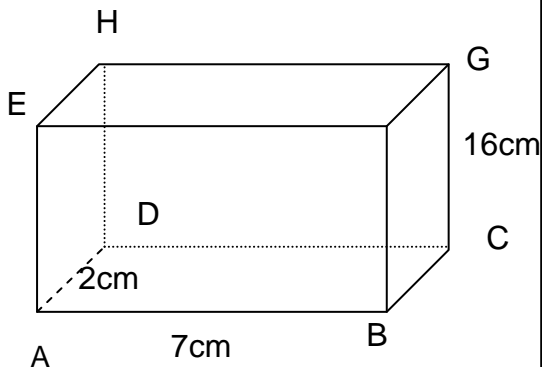


Answer

1.8cm

Question

Find the diagonal AC

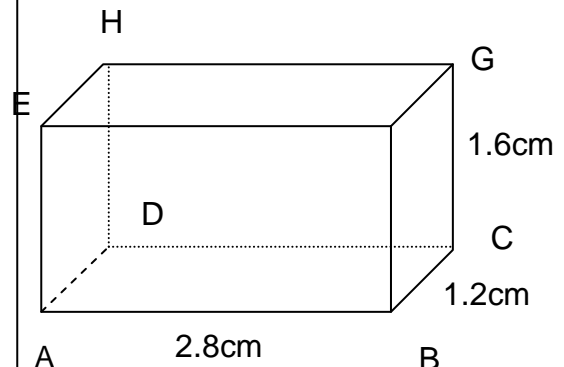


Answer

7.3cm

Question

Find the diagonal AC

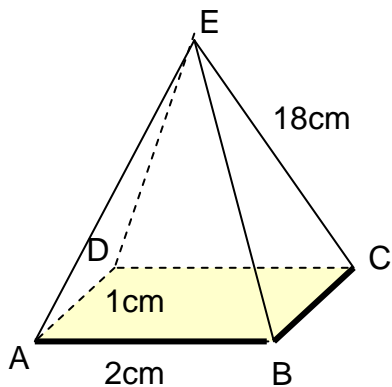


Answer

3.0cm

Question

Find the diagonal AC

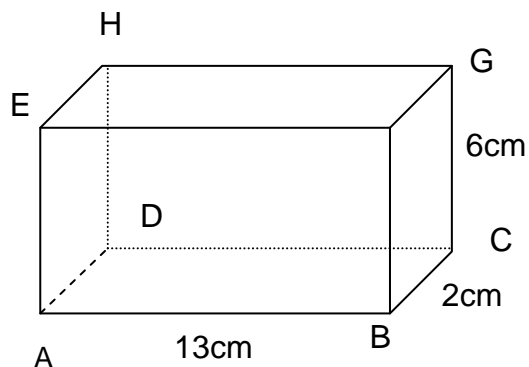


Answer

2.2cm

Question

Find the diagonal AC

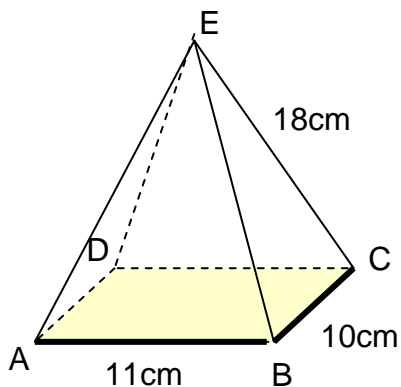


Answer

29.4cm

Question

Find the height

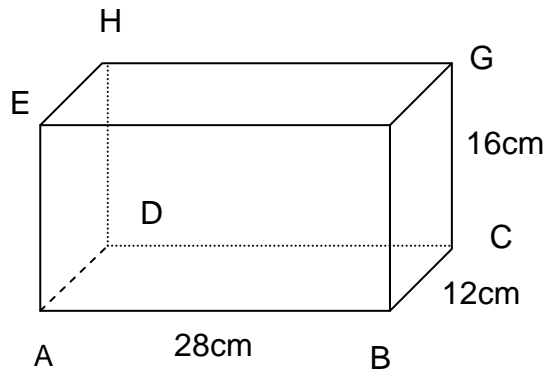


Answer

16.4cm

Question

Find the space diagonal

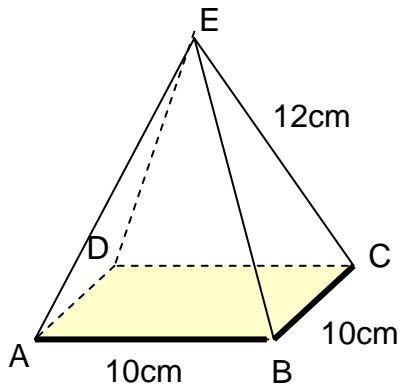


Answer

34.4cm

Question

Find the height

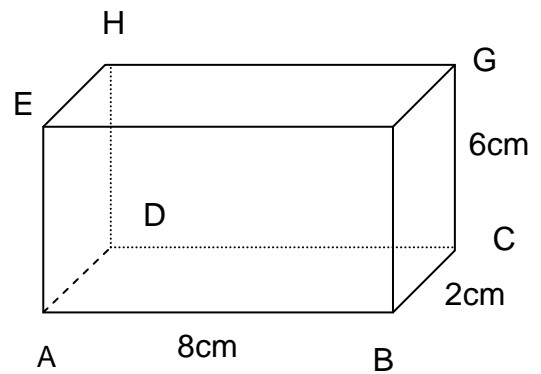


Answer

9.7cm

Question

Find the space diagonal

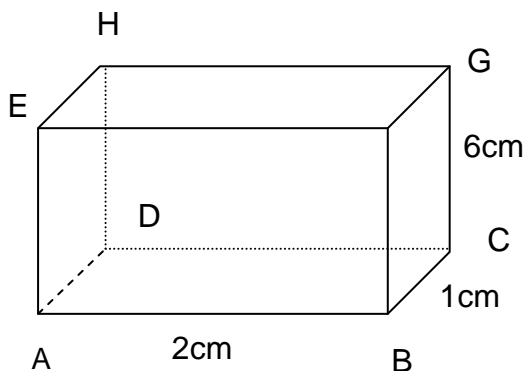


Answer

10.2cm

Question

Find the space diagonal

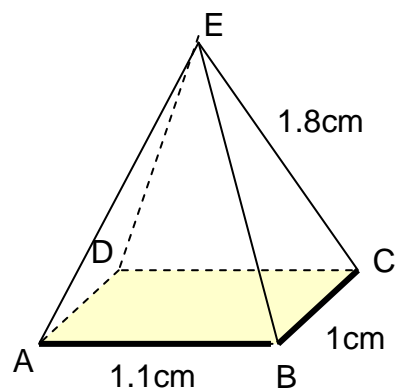


Answer

6.4cm

Question

Find the height

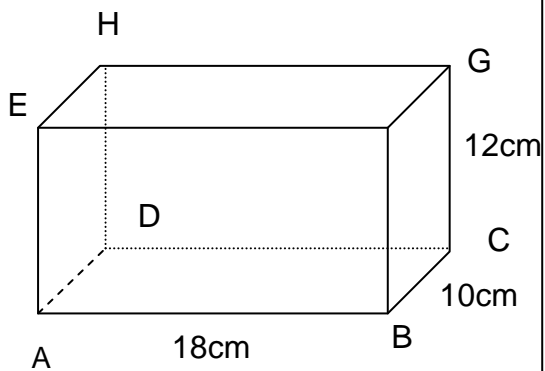


Answer

1.6cm

Question

Find the space diagonal

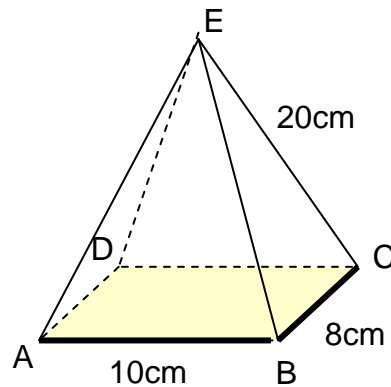


Answer

23.8cm

Question

Find the height

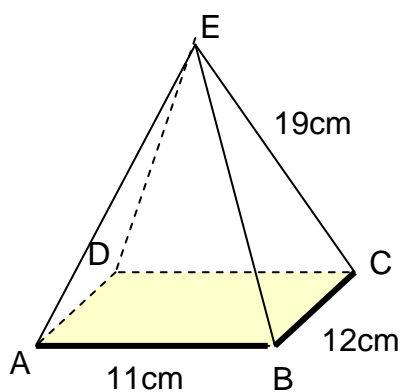


Answer

18.9cm

Question

Find the height



Answer

17.2cm

Question

Find the space diagonal

